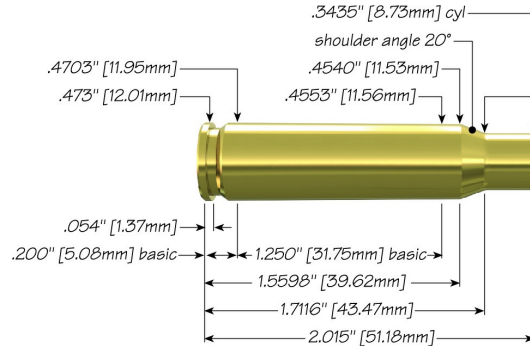


308 Winchester with Trophy Bonded Tip



Max Case Length:	2.015"
Trim-to Length:	2.005"
Max Cart. OAL:	2.810"
RCBS Shell Holder:	# 3
Test Firearm:	Universal Receiver
Barrel Length:	24"



30	Bullet Brand	Part No.	Weight, grains	COAL Tested	Ballistic Coefficient	Sectional Density
----	--------------	----------	----------------	-------------	-----------------------	-------------------



Trophy Bonded Tip

Federal	PB308TT165	165	2.700"	.450	.248
---------	------------	-----	--------	------	------

Propellant	Cartridge Case	Primer	START CHARGE		MAXIMUM CHARGE	
			Grain	Velocity (ft/sec)	Grain	Velocity (ft/sec)
Alliant AR-Comp	Fed	Fed 210	38.7	2545	42.8 C	2737
Alliant Power Pro 2000-MR	Fed	Fed 210	45.1	2654	50.5 C	2906
Alliant Power Pro Varmint	Fed	Fed 210	40.2	2565	44.7	2793
Alliant Reloder 15	Fed	Fed 210	40.9	2562	45.0 C	2758
Hodgdon Varget	Fed	Fed 210	39.8	2518	44.0 C	2732
IMR 4064	Fed	Fed 210	39.3	2523	43.5	2730
Ramshot TAC	Fed	Fed 210	38.0	2490	42.1	2686
Vihht N540	Fed	Fed 210	40.1	2465	44.5	2700